

INDUSTRIAL FLUE GAS DAMPERS

100% designed and manufactured in Sweden



OUR EXPERIENCE
YOUR APPLICATION
CUSTOMIZED FOR YOU

SWEDENBORG



SOLID DESIGN IN ANY SHAPE 100% CUSTOMIZABLE

Swedenborg is an engineering company with over 20 years of experience designing and manufacturing dampers. All our dampers are tailor made to fit the specific operating conditions and functionality our clients need.

DAMPER TYPES

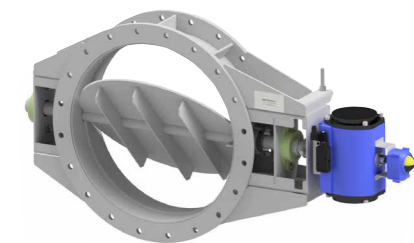
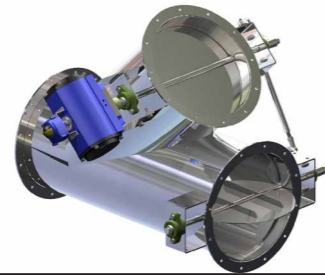
- Butterfly valves
- Jalousie valves
- 3-way dampers
- Slide gate valves
- Air sealing dampers
- Disc dampers
- Marine damper

RANGE OF APPLICATIONS

Temperature: -50° C to 1100° C
Pressure: +/- 0,5 Bar (g)
Media: for gases or bulk material

3-WAY DAMPERS

Diverter dampers in T- or Y-shape.

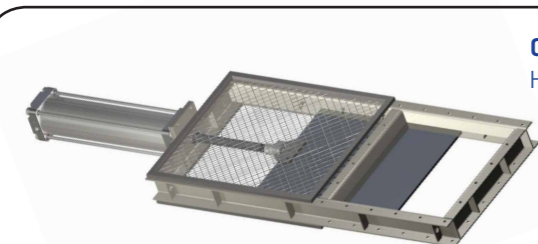
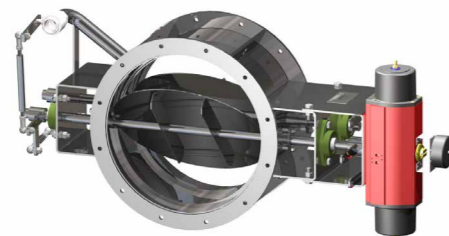


MARINE DAMPERS

Strengthened design for demanding marine applications where flow dynamics is turbulent and vibration present.

AIR SEALING DAMPERS

100% gas tightness with air sealing barrier for safe maintenance work during operation.



GUILLOTINE DAMPERS

Här kommer text.....

FOR ANY INSTALLATION



Flanges according to most standards or weld ends, wafer type or customer specific requests.

IN ALL TYPES OF MATERIALS



Our dampers can be manufactured in almost any material, from carbon steel to duplex steel, high-temperature steel and wear resistant material. All laser cut to precision.

ACCESSORIES



Inductive or mechanical switches, positioners, mechanical locking.

SURFACE TREATMENT



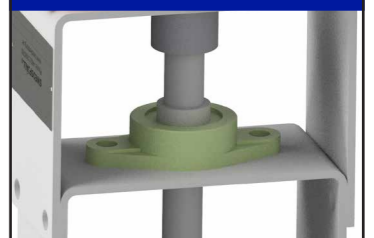
Shop primer, epoxy-based paint or according to a specific painting system (C2-C5) on request. Our dampers can also be lined with refractory for high-temperature processes or with rubber for extremely corrosive environments.

YOUR CHOICE OF ACTUATOR



We offer actuators of any kind: manual lever, gearbox, pneumatic, electric or hydraulic.

FLANGED BEARINGS



Heavy duty, maintenance free bearings mounted on consoles outside the gas stream.

GAS TIGHT STUFFING BOX

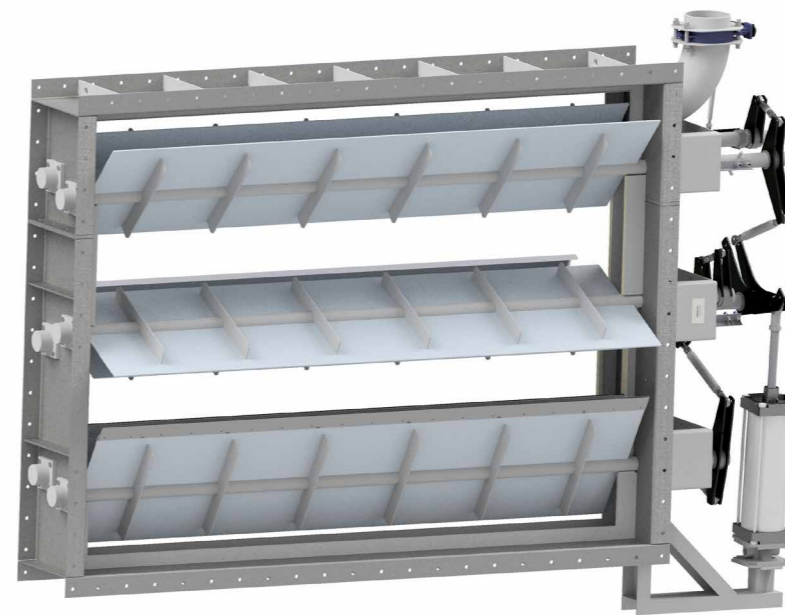
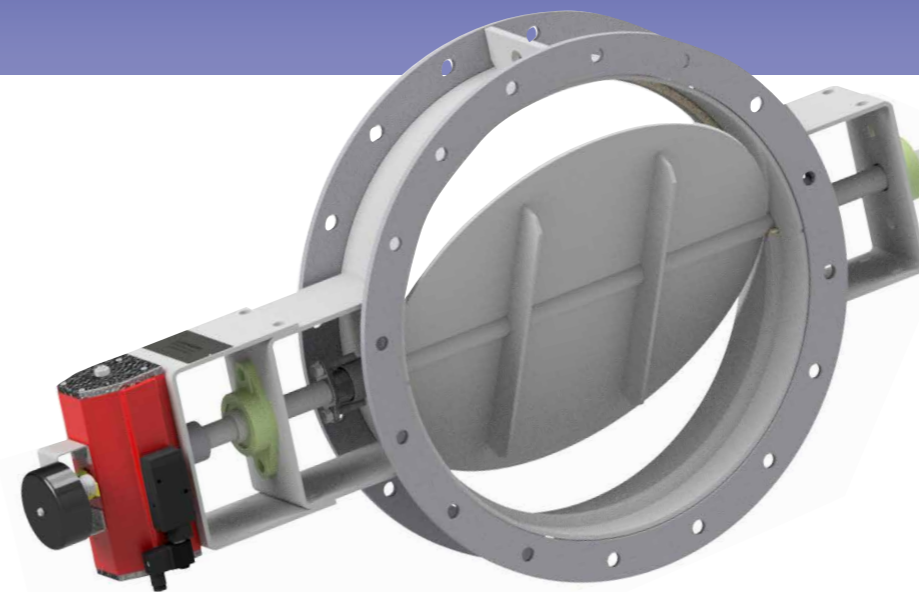


The stuffing box with a stainless-steel packing gland protects the surrounding atmosphere.

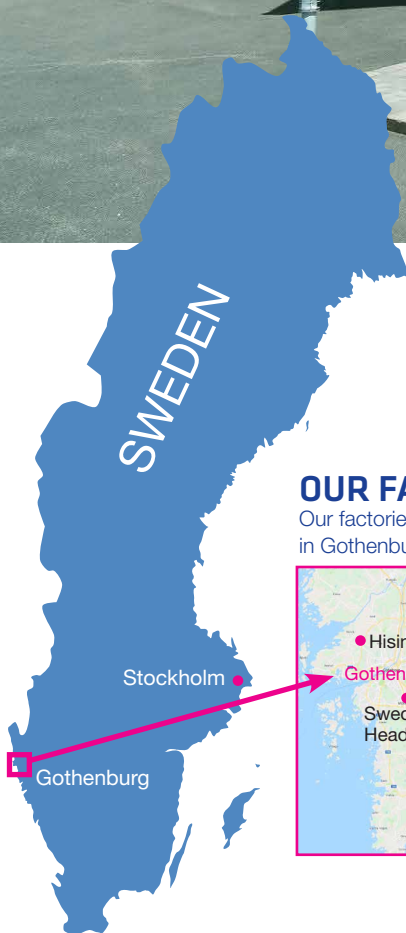
SEALING OPTIONS



Steel on steel, glass fiber, viton or customer specific. Standard profile or as a raised seat for dusty applications.

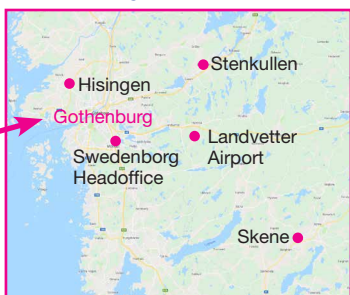


Our headoffice in Gothenburg, Sweden



OUR FACTORIES

Our factories are located in Gothenburg area.



“We are looking for more distributors across Europe...”

Retailer:

CONTACT HEAD OFFICE

AB GF Swedenborg Ingeniörsfirma
Metodvägen 2D
S-435 33 Mölnlycke
Sweden

Phone: +46 (0)31 336 87 80
Fax: +46 (0)31 336 87 99
Mail: info@swedenborg.se
www.swedspjall.se

