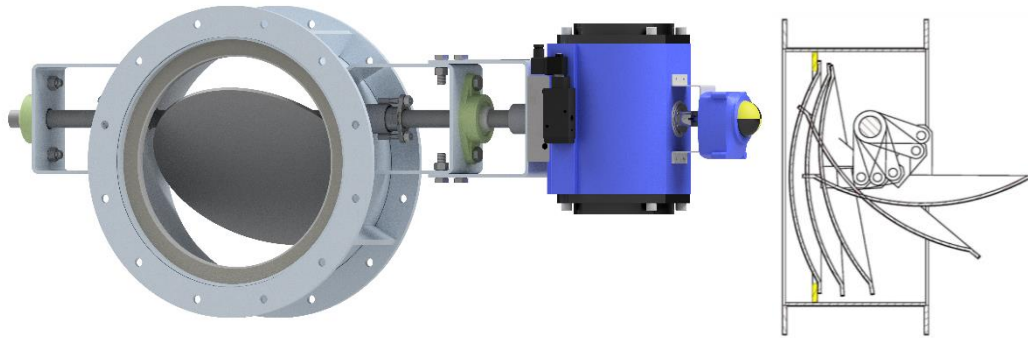


Disc Damper – Serie 400

Swedspjäll

Made in Sweden



DESCRIPTION

Serie 400 is our new disc design damper – a further development of a traditional disc damper. Serie 400 has 100% geometrical tightness (but not 100% gas tightness) and the force from the actuator is evenly distributed across the entire sealing area. This has moved the barrier towards higher tightness on dampers.

RANGE OF APPLICATION

For flue gases, hot air and process gases.

Max. temperature: *500 ° C

Max. design pressure: 0,5 bar (g)

(*For higher temperatures, please contact us for more information)

TECHNICAL INFORMATION

When approaching the closed position, the disc moves straight towards the sealing of the damper. This movement gives the Serie 400 a unique closing geometry with high tightness.

As the gas flow is pressing the disc tighter against the sealing, the damper is very suitable for applications where pulsations or high differential pressure occurs.

The damper is designed in our 3D CAD software, where files for laser cutting is generated and used to cut all parts. The Serie 400 dampers can be manufactured in circular or rectangular form.

The stuffing box is equipped with a cast gland in stainless steel as standard. The bolts and nuts are also in stainless steel to prevent corrosion problems.

BENEFITS

Serie 400 has a high tightness without using an air sealing system.

The mounting length is short compared to standard disc dampers, making it cost effective.

Disc Damper – Serie 400

Swedspjäll

REFERENCE PHOTOS



DN 1600 for paper industry



DN 400 for marine application

