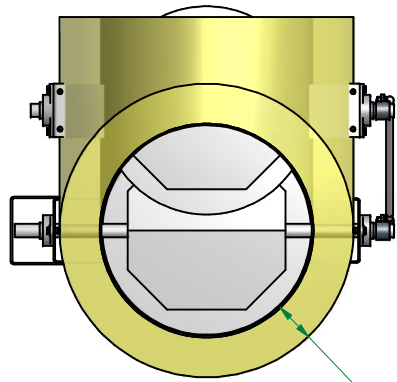
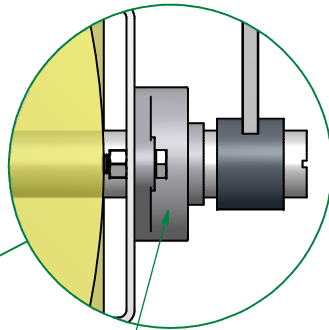
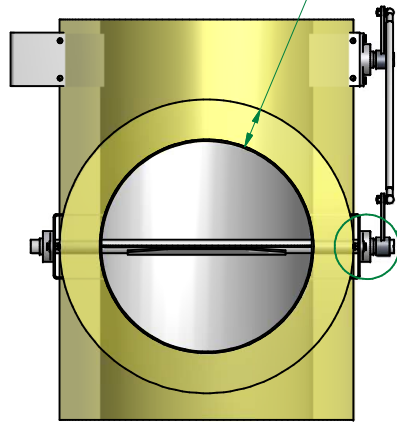


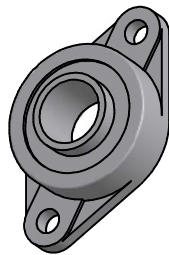
Swedspjäll - Isolation instruction



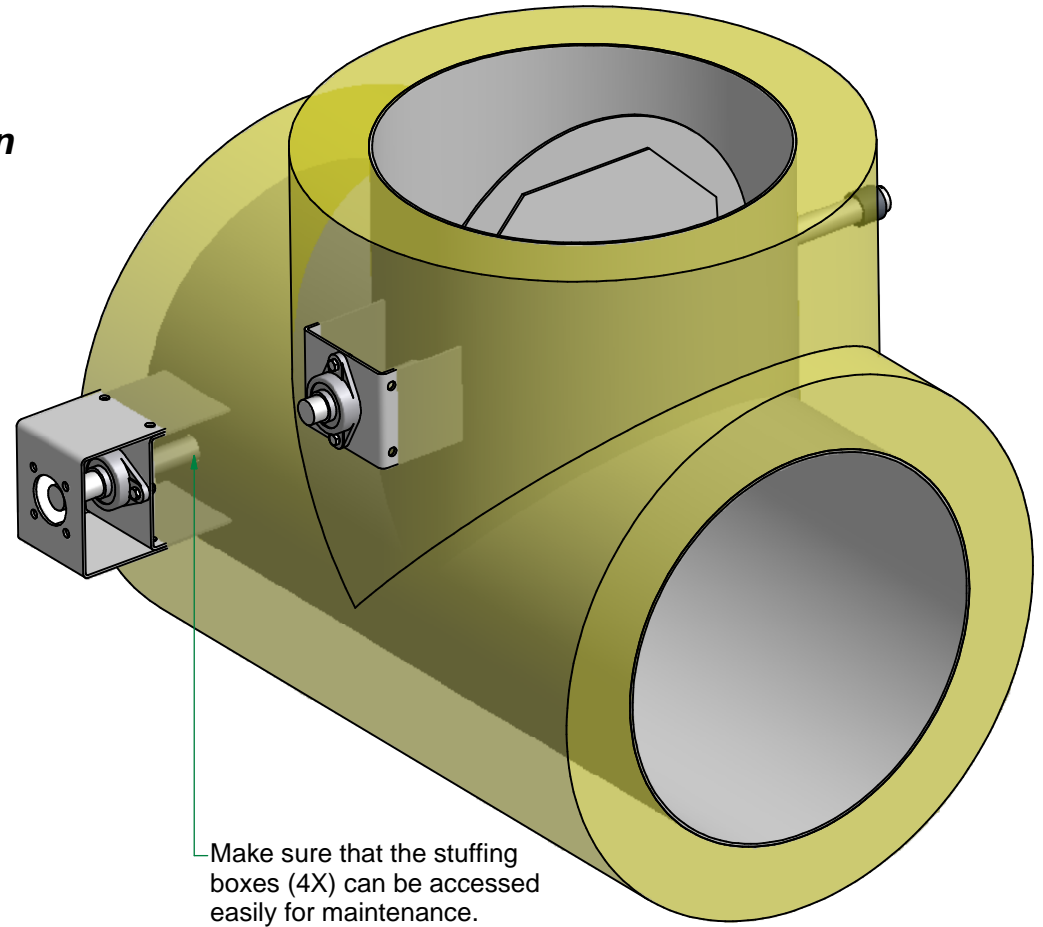
Maximum total thickness of
isolation and coverplates = 150 mm



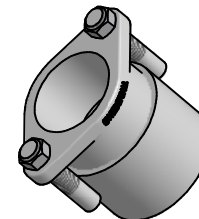
The ball bearings (4X) must
be outside of the isolation.



Ball bearing



Make sure that the stuffing
boxes (4X) can be accessed
easily for maintenance.



Stuffing box

Designed by AÖ	Checked by	Approved by - date	Date 2013-05-15	Page nr 1 / 1	Scale
AB GF SWEDENBORG INGENJÖRSFIRMA <small>ANG. - FÄTTEN- OCH PUMPFIRMA</small>			Title / Description 130232-1 Isol		Order no. Drawing no.
Tel +46 (0)31 336 87 80			130232-1 Isol		