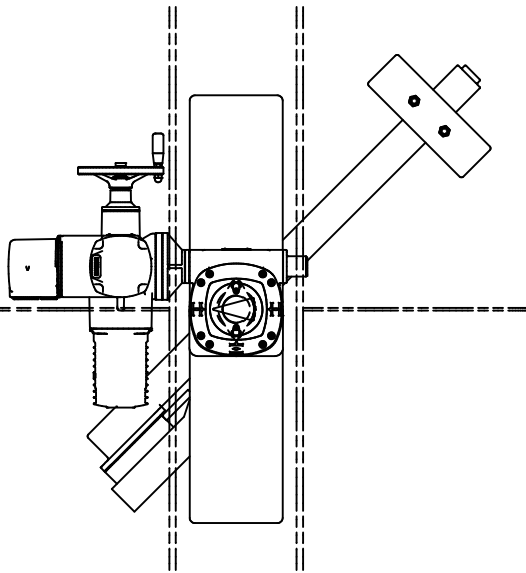
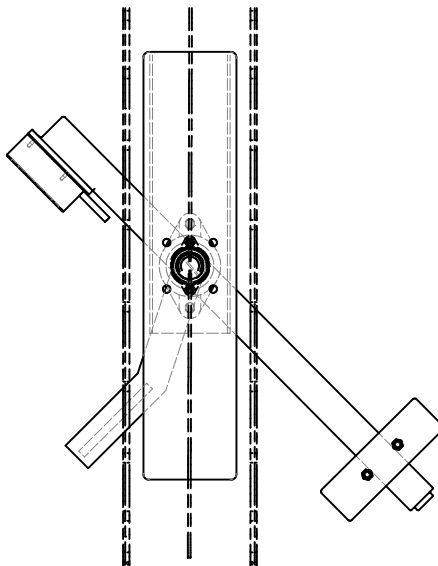


Mechanical fail safe systems with magnet for electric actuators. For fail close or fail open.

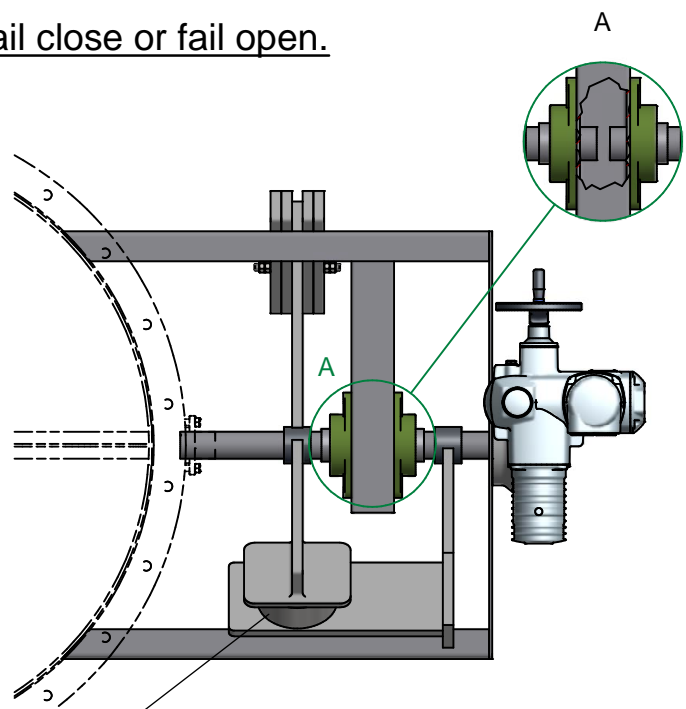
(Images show a fail close system)



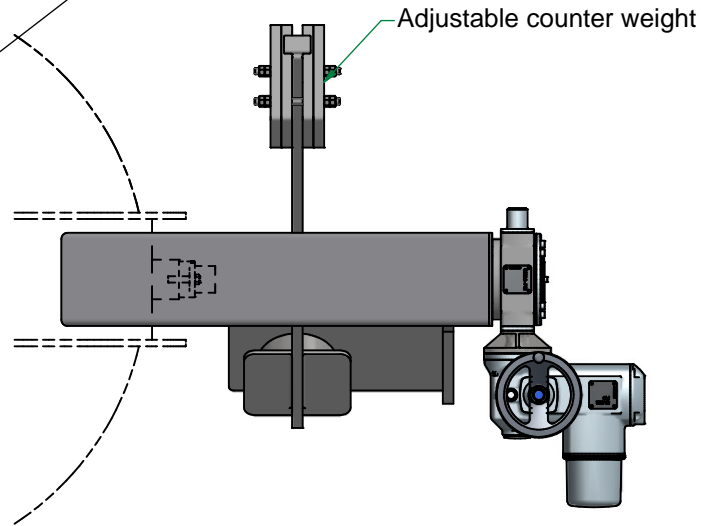
Power to the magnet.
(Normal operation)



No power to the magnet.
Counter weight in action.



One or two magnet(s) depending on damper size



Adjustable counter weight

Designed by HB	Checked by	Approved by - date	Date 2015-06-25	Page nr 1 / 1	Scale
AB GF SWEDENBORG INGENIÖRSFIRMA <small>AND. - VÄTTER - OCH PUMPFIRMA</small>			Swedspjäll Title / Description		Order no Quotation drawing
Tel +46 (0)31 336 87 80			Electric actuator		Drawing no Fail system