

Air supply
(A solenoid valve is mounted on the actuator)

Shaft adapter

Stud

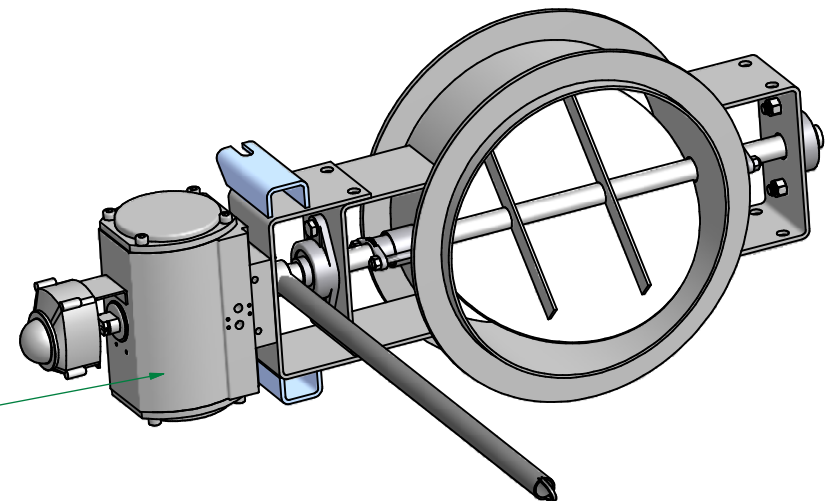
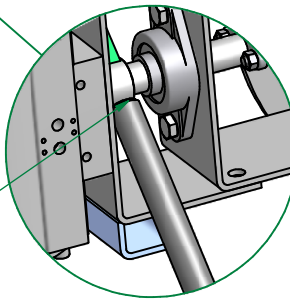
Rod with internal thread

Manual override

1) Unplug the air supply (unless already cut because of failure).

2) Attach the rod by screwing it onto the stud. **Make sure it is screwed on tightly**, all the way down to the shaft adapter.

3) Operate the damper



Warning! The actuator has powerful springs inside. If the rod is released when the springs are compressed there is a great risk of injury!

Designed by AÖ	Checked by	Approved by - date	Date 2014-04-23	Page nr 1 / 1	Scale
AB GF SWEDENBORG INGENJÖRSFIRMA <small>ANG., FÄTTEN- OCH PÅPÅTÄRNING</small>			Title / Description Manual override		Order no
Tel +46 (0)31 336 87 80					Drawing no 140155 MO