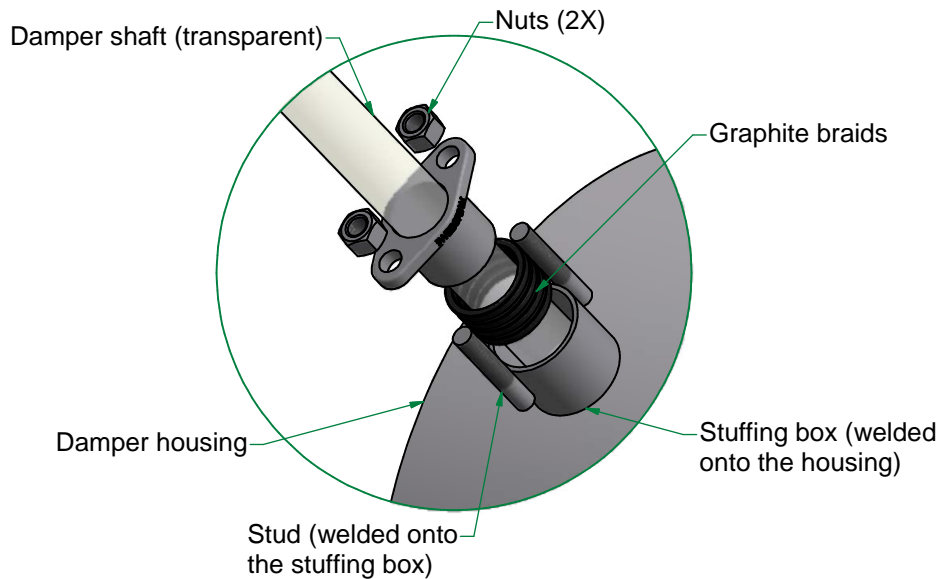
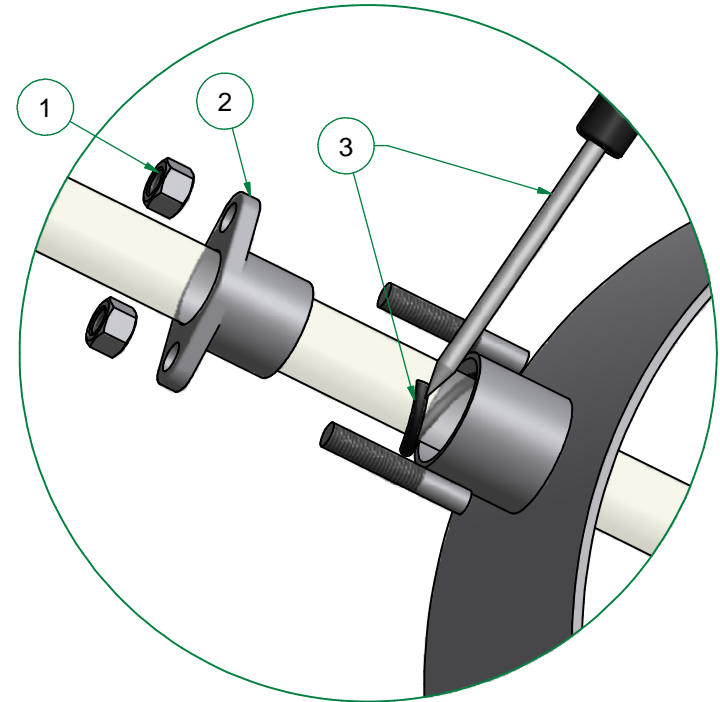
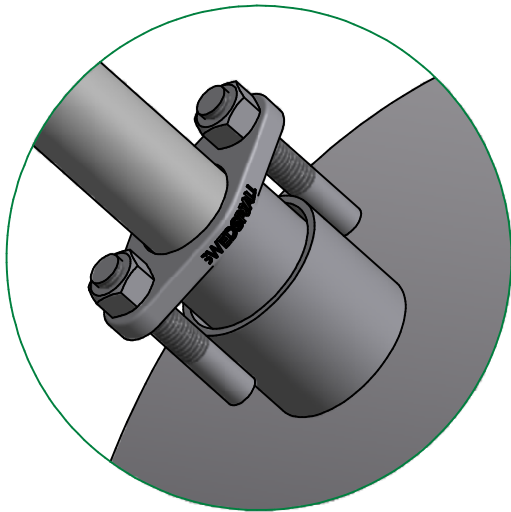


Stuffing box with graphite braid sealing



How to replace the braids:

- (1) Loosen the two nuts.
- (2) Retract the gland.
- (3) Use a sharp tool to remove the graphite braids.

The stuffing box is now ready to be repacked.

Designed by AÖ	Checked by	Approved by - date	Date 2011-11-28	Page nr 1 / 1	Scale
AB GF SWEDENBORG INGENJÖRSFIRMA <small>ANG. - FÄTTEN- OCH PUMPFÄTTEN</small>				Order no Drawing no Stuffing box instr	
Tel +46 (0)31 336 87 80					